

Koh Tao

Manufacturer: Lebom, Spain

Koh Tao

Odosdesign



Structure

Solid wood and DM board.

Padding

- 35 kg polyurethane seat with 150 g of multi-layer fibre.
- 28 kg polyurethane backrest.

Upholstery

Seams on arms and backs.

Standing

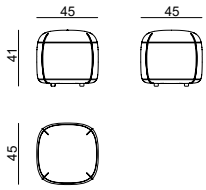
Hidden glides. Height 4 cm.

Koh Tao

Manufacturer: Lebom, Spain

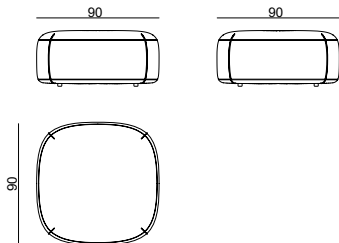
Koh Tao

P0 COM	Fabrics				Vol (ft ³)
	P1	P2	P3	P4	
RRP .					



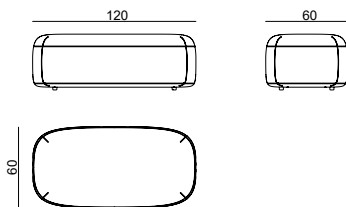
**Island 45x45
110260**

400	420	468	500	565	5,45
-----	-----	-----	-----	-----	------



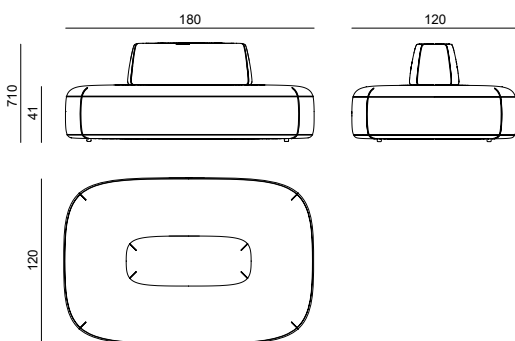
**Island 90x90
110261**

738	780	858	928	1.055	18,01
-----	-----	-----	-----	-------	-------



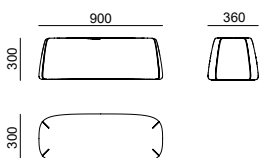
**Island 120x60
110262**

930	970	1.023	1.058	1.148	16,39
-----	-----	-------	-------	-------	-------



**Island 180x120
110263**

1.668	1.843	1.955	2.030	2.218	44,49
-------	-------	-------	-------	-------	-------



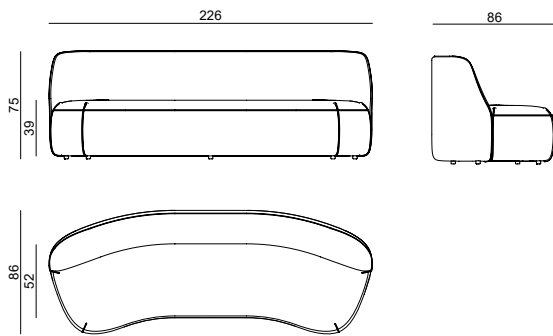
**Backrest
110264**

523	558	598	625	693	5,65
-----	-----	-----	-----	-----	------

Koh Tao

Manufacturer: Lebom, Spain

Koh Tao



**3 seater sofa
110230**

Fabrics				
P0 COM	P1	P2	P3	Vol (ft ³)
RRP .				

3.189	3.499	3.809	4.120	68,01
-------	-------	-------	-------	-------