

### 1 SELECT THE BASE MODEL SUITABLE FOR YOUR TABLE

The ESSENS collection offers bases in different sizes and formats. Choose the appropriate base for the size of the tabletop you need as indicated below next to each base.

**Remark:** the bases must be filled with the counterweight indicated for each one so that the table is stable. If you want to buy the counterweight from INCLASS, you must indicate in the order the code that appears in the price matrix of each base.



### 2 CHOOSE THE FINISH OF THE BASE

The bases are available in the following finishes:

Colours PE1	Colours PE2	Colours PE3	Colours PE4	Colours PE5
-------------	-------------	-------------	-------------	-------------

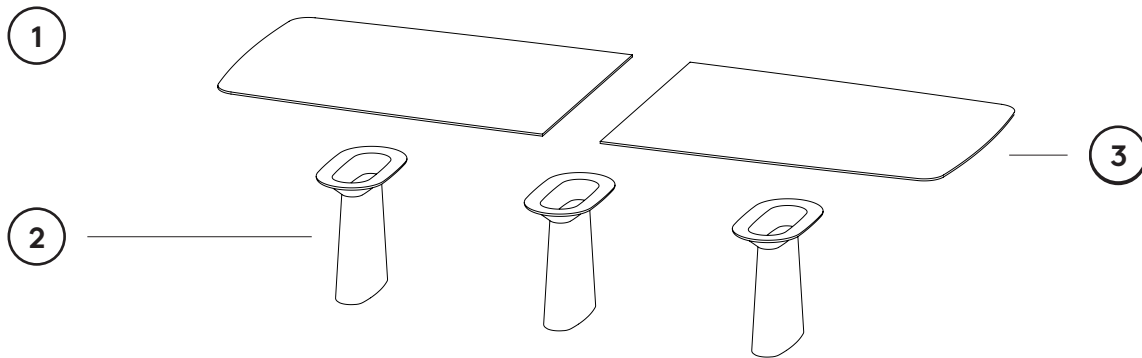
The price matrix shows the price according to the different finishes.

### 3 CHOOSE THE Tabletop MATERIAL AND ITS FINISH

The tabletops are available in the following materials:

Oak natural/stained	Walnut natural	Lacquered colours W1	Lacquered colours W2	Solid HPL (12mm)	Solid FENIX® (12mm)	FENIX® (Laminated)	Marble white	Marble black / brown
------------------------	-------------------	-------------------------	-------------------------	---------------------	------------------------	-----------------------	-----------------	-------------------------

The price matrix shows the price according to the different sizes, materials and finishes.



### 1

#### SELECT THE TABLE DIMENSIONS

The table with oval bases can be assembled with one piece tops or tops by sections.



##### TABLES WITH ONE PIECE TOP

Standard sizes: 200x100cm, 220x120cm, 240x120cm, 260x120cm, 280x140cm, and 300x140cm. Two oval bases are needed for these tables.



##### TABLES WITH TWO END TOPS

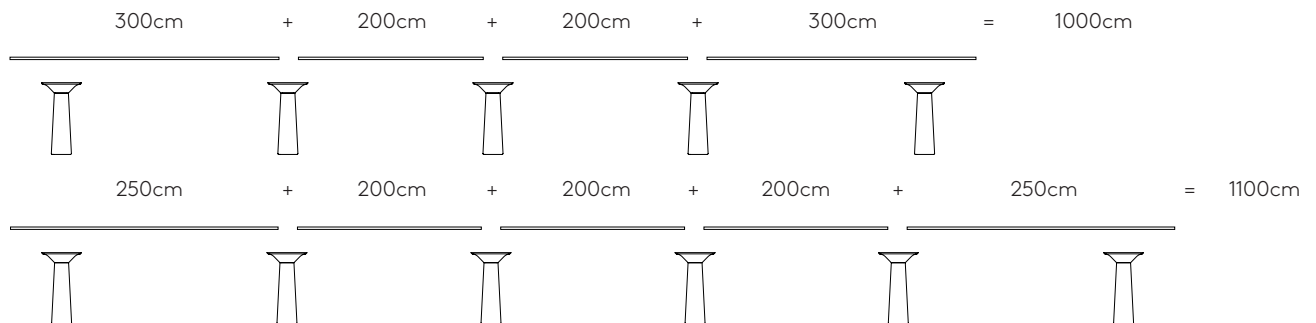
Standard sizes: 400x140cm, 500x140cm and 600x140cm. Three oval bases are needed for these tables.



##### TABLES WITH MULTIPLE TOP SECTIONS

They are configured with two end tabletops, available in sizes 250x140cm and 300x140cm and the desired intermediate tabletops by sections of 200x140cm. An oval base is required for each end tabletop and for each joint of the intermediate sections.

Examples:



#### Remark:

- The oval base cannot be used as a single base, regardless of the measurements of the tabletop.
- The tabletops bigger than 260x120cm include reinforcement steel beams beneath the top.
- The bases must be filled with the counterweight indicated for each base so that the table is stable. If you want to buy it from INCLASS, you must indicate in the order the code that appears in the price matrix of each base.

### 2

#### CHOOSE THE FINISH OF THE BASE

The bases are available in the following finishes:

Colours PE1	Colours PE2	Colours PE3	Colours PE4	Colours PE5
-------------	-------------	-------------	-------------	-------------

The price matrix shows the price according to the different finishes.

### 3

#### CHOOSE THE TABLETOP MATERIAL AND ITS FINISH

The tabletops are available in the following materials:

Oak natural/stained	Walnut natural	Lacquered colours W1	Lacquered colours W2	Solid HPL (12mm)	Solid FENIX® (12mm)	FENIX® (Laminated)	Marble white	Marble black / brown
------------------------	-------------------	-------------------------	-------------------------	---------------------	------------------------	-----------------------	-----------------	-------------------------

The price matrix shows the price according to the different sizes, materials and finishes.