

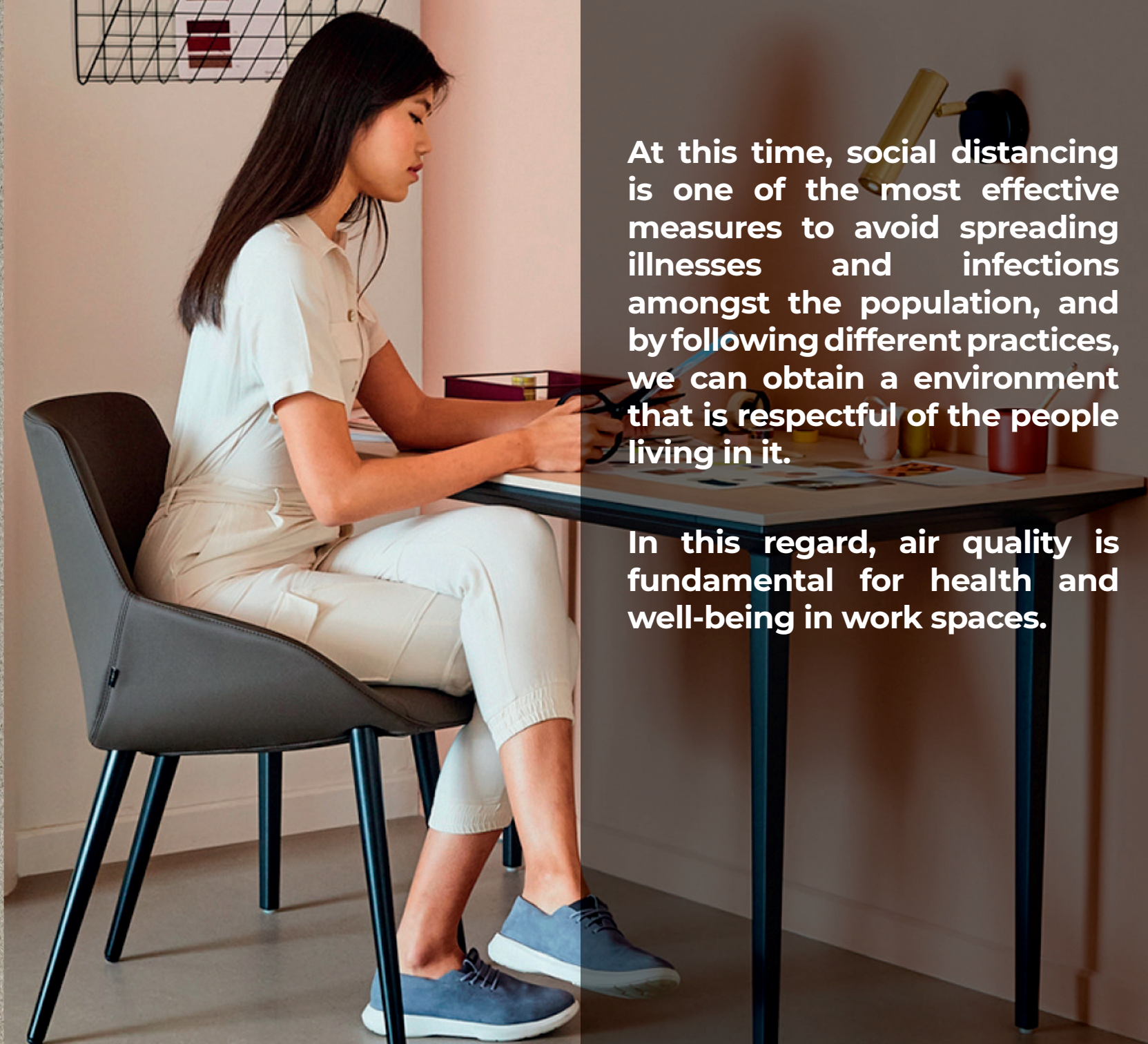
# Health and well-being in the workplace

Freestanding protective screens

ACTIU

There are times when life presents situations that can be worrying and disturbing. This is inevitable, but the real difficulty comes when we get bogged down by these situations to the extent that they begin to occupy all our thoughts. It's not about how important a problem is, or downplaying the situation, but we must learn to put what happens to us into context and deal with it by having a **positive attitude.**

In light of the situation that we have currently been thrown into, preventative efforts have become crucial, and taking the necessary measures for both users and employees is a must.



At this time, social distancing is one of the most effective measures to avoid spreading illnesses and infections amongst the population, and by following different practices, we can obtain an environment that is respectful of the people living in it.

In this regard, air quality is fundamental for health and well-being in work spaces.



## Actiu, equipment solutions for work spaces

We have developed a solution for public service and shop counters that offers good isolation so that workers and users can go about their daily tasks, improving people's well-being when interacting with their immediate surroundings.



# Freestanding protective screens



A versatile, stable, easy-to-assemble and clean solution that makes it easier to attend to users or customers.

A panel that ensures physical separation without losing out on interaction and visual contact.

More and more companies are resorting to this solution which, besides providing the required safety, strengthens people's feeling of safety and mental health, thus inspiring a positive attitude so that employees can work more comfortably, whilst feeling in control and providing value.

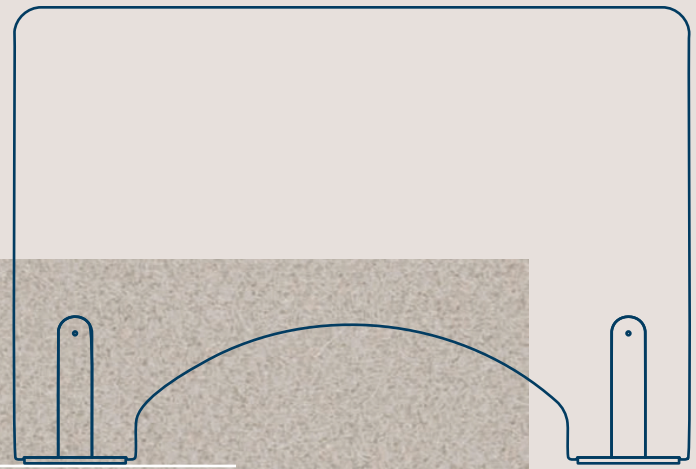




ADMINISTRATION



*“During these uncertain times, it is essential to create sustainable and healthy working environments. The layout of the space and furniture and the way the work is organised, together with aspects such as water, lighting, movement, temperature, materials and air quality, have an important impact on our mental health and social interactions. In fact, if these factors are not taken into consideration, or implemented badly, they may seriously affect workers’ health”*



Creating a work space that will bring together corporate goals and challenges with employee well-being and satisfaction is one of the main aims at the moment.

Whether in hospitals, clinics, pharmacies, opticians, food stores, bakeries, tobacconists, insurance companies, parcel delivery companies, banks or offices, workers must feel the security and confidence to create a more human environment within distinct work spaces.



PHARMACY



BAKERY



HOSPITAL



OPTICIANS



ADMINISTRATION





HOSPITAL

To increase its effectiveness, after removing the protective plastic film, we recommend wiping it using an anti-static cleaning product or window cleaner with a clean cotton cloth.





HOSPITAL

SAN JOSE



PHARMACY

A versatile, stable, easy-to-assemble and clean solution that makes it easier to communicate with and attend to users or customers.







OPTICIANS





COFFEE		
Americano	2.75	3.25
Blended Coffee	5.25	5.75
Cappuccino	3.25	3.75
Drip Coffee	2.25	2.50
Espresso	2.25	2.75
Latte	4.00	4.75
Mocha	4.25	5.00

EXTRAS		
Flavor	+0.50	
Extra Shot	+1.00	
Almond or Soy Milk	+0.75	

DRINKS		
Chai Latte	4.00	4.75
Hot Chocolate	3.00	3.75
Mexican Hot Chocolate	4.25	4.50
Milk/Steamer	2.00	2.50
Tea	2.50	2.75
Soda	2.00	2.50
Italian Soda	2.50	3.00
Juice	1.50	2.00
Bottled Water	1.00	1.50

FOOD	
Cheese, Croissant, & Grapes	3.50
Hummus Plate	4.50
Apples & PB or Yogurt	2.50
Grilled Cheese, Pickle, & Chips	5.00



BAKERY

A panel that ensures physical separation without losing out on interaction and visual contact.

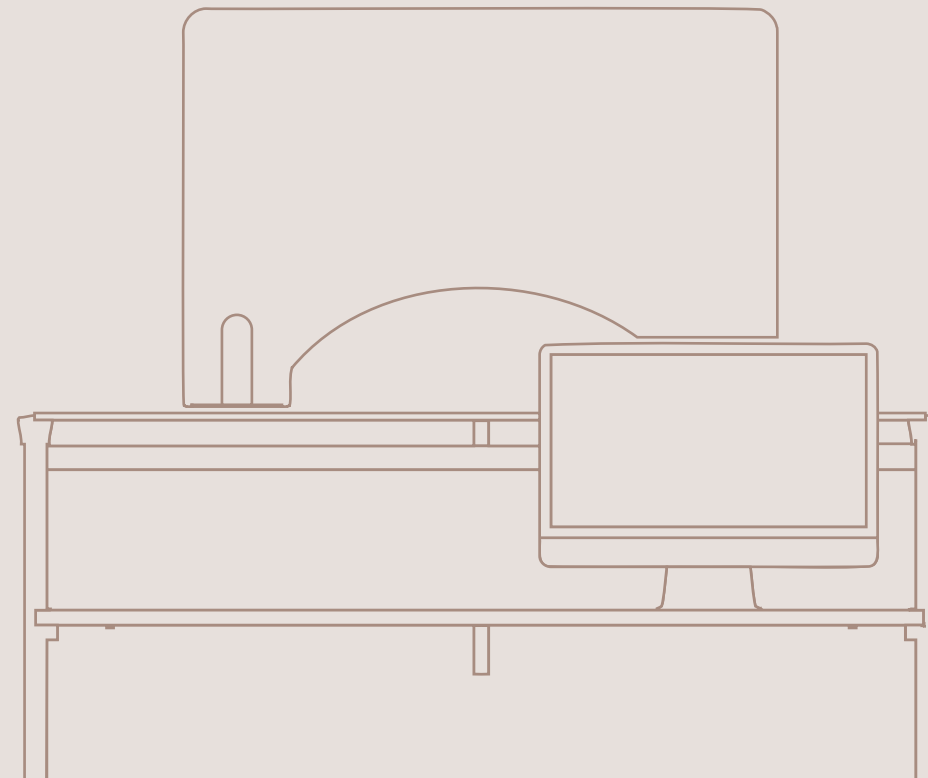


In light of this cultural change, having environments that promote privacy and help to maintain order is fundamental.

Actiu wants to boost flexibility in these spaces in line with their characteristics and the needs of users, improving efficiency and generating the required degree of comfort.

Through customisable solutions and eliminating toxic materials such as formaldehyde in furniture, current spaces must meet the strictest occupational safety and sustainability criteria – key aspects for improving the well-being and comfort of workers.

# Technical specifications



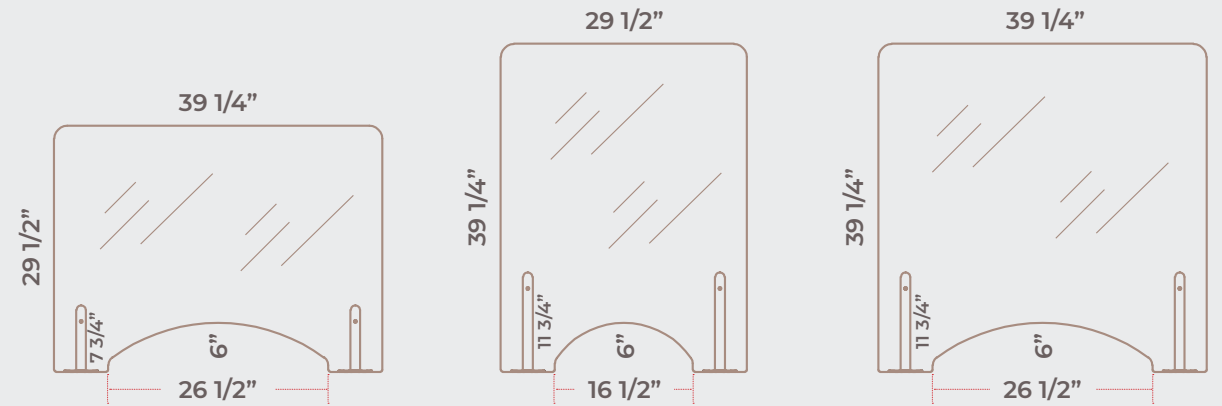
**Freestanding protective screen** made of 1/4" thick methacrylate or 1/4" tempered glass, ideal for the **administrative** and **retail** sectors.

Its rounded-edge design with solid steel support using anti-slip patches make it a stable and effective protective element.

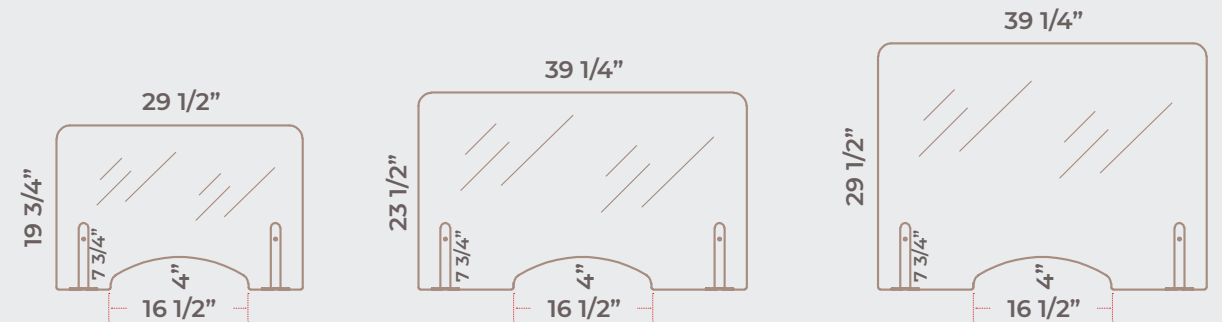
In its lower central part it has a window for handing over products or payment by cash or card.



## RETAIL Sectors



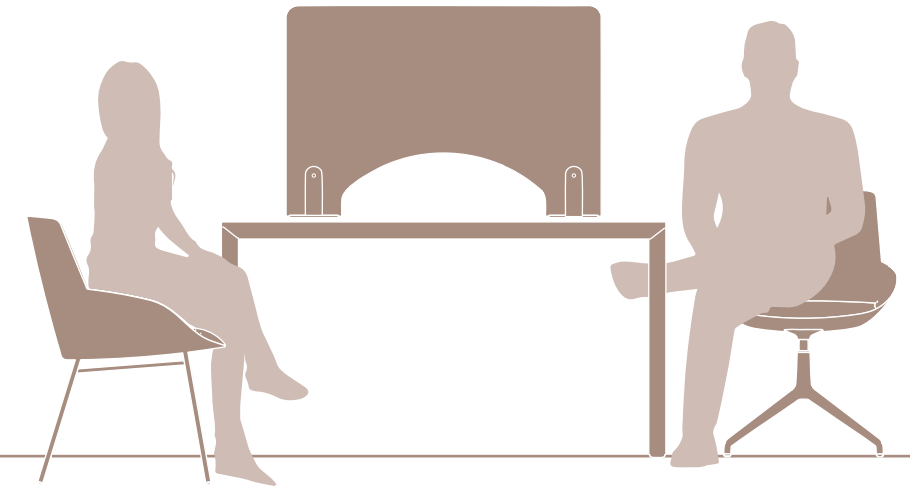
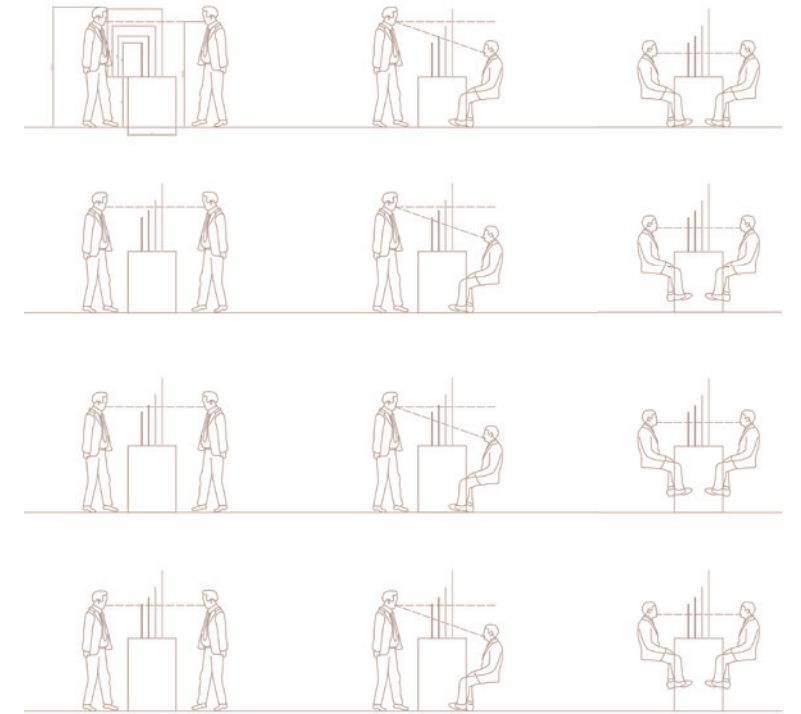
## ADMINISTRATIVE Sectors





# Uses

It can be placed on any type of table,  
counter or bar





Actiu, the first industrial company in the world to obtain the WELL™ v2 and LEED® Platinum Certification

Actiu obtains the Well™ v2 Platinum certification which certifies its headquarters as the fifth most sustainable building in the world, the second in Europe and the first in Spain, with one of the highest scores for the certification in the world.

Actiu's headquarters has become the fifth complex in the world to receive the Well™ v2 Platinum certification and the first industrial building in the world to obtain both Leed® and Well Platinum certifications, which certify the company's headquarters as a healthy and sustainable space which ensures staff well-being and harmony with the external environment.



The granting of this certification to Actiu by the American Green Building Council means that the construction is responsible towards the environment and the building's design allows for efficient use of natural resources.

Actiu was the first industrial company in Europe to be awarded this demanding certification, which is something that drives us to keep making a daily effort and to continue with our commitment to sustainability, innovation, industry and our region as values that characterise us as a company.



Actiu, the first industrial company in the world to obtain the WELL v2 and LEED Platinum Certification



[www.actiu.com](http://www.actiu.com)