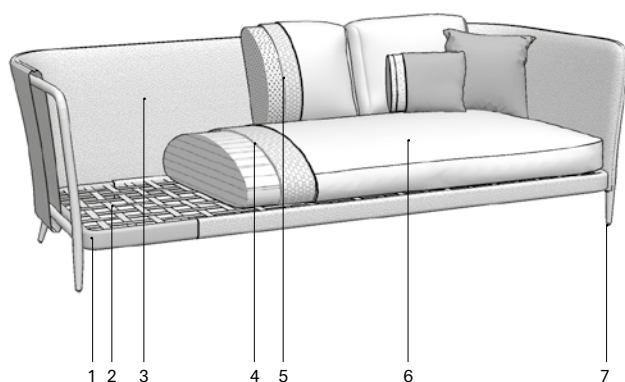


# Käbu

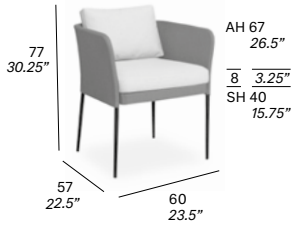
Javier Pastor, 2014



- 1 Structure made of high resistance aluminum tube finished with polyester powder.
- 2 Seat frame provided with elastic belts.
- 3 Backrest upholstery comes in:
  - Sunbrella Sling
  - Batyline Eden
  - Batyline Elios
- 4 Expanded poliurethane seat cushion with removable waterproof and fireproof cover made of polyester with special anti-mould and anti-bacterial treatment.
- 5 Back cushion and loose cushions padded with polyester fibre with removable waterproof and fireproof cover made of polyester with special anti-mould and anti-bacterial treatment.
- 6 Removable seat, back and loose cushion upholstered in G11, G12, G13, technical fabrics.
- 7 Injected PA spacers.

REF      ARTICLE      OPTIONS      TOTAL (CAD\$)

**C757 Dining armchair**



**frame**

- 100 white, 111 FT graphite, 102 FT light grey, 108 FT oxide, 109 FT champagne, 110 FT bronze, 113 FT sage

**upholstered**

- Sunbrella Sling, Batyline Eden, Batyline Elios

\*

**cushions**

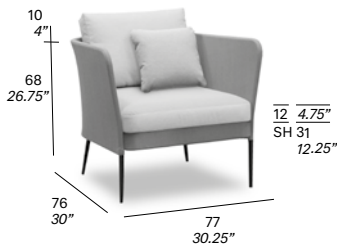
- G11 2,805
- G12 2,869
- G13 3,013
- COM (1,40 / 1,50 > 1,20 m) 2,746

**protective cover**

+703

5 kg — 10 kg / 0,34 m<sup>3</sup>

**C751 Armchair**



**frame**

- 100 white, 111 FT graphite, 102 FT light grey, 108 FT oxide, 109 FT champagne, 110 FT bronze, 113 FT sage

**upholstered**

- Sunbrella Sling, Batyline Eden, Batyline Elios

\*

**cushions**

(1 cushion 45x45 cm / 17.75"x17.75" included)

- G11 4,458
- G12 4,531
- G13 4,739
- COM (1,40 / 1,50 > 1,65 m + 0,5 m) 4,310

**protective cover**

+743

10,5 kg — 16 kg / 0,47 m<sup>3</sup>

\*COM Orders are subject to following charges per manufacturer: \$16 per yard (any fabric) - Minimum: \$200, Maximum: \$750

## Decorative Cushions

REF	ARTICLE	OPTIONS	TOTAL (CAD\$)
-----	---------	---------	---------------

**C997 Cushion**

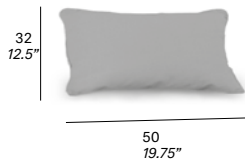


· G11	172
· G12	185
· G13	228
· COM (1,40 / 1,50 > 0,50 m)	152

**FR polyester fibre** +17

0,34 kg — 0,35 kg / 0,03 m³

**C986 Rectangular cushion**



· G11	158
· G12	168
· G13	208
· COM (1,40 / 1,50 > 0,40 m)	142

**FR polyester fibre** +17

0,29 kg — 0,30 kg / 0,02 m³

\*COM Orders are subject to following charges per manufacturer: \$16 per yard (any fabric) - Minimum: \$200, Maximum: \$750