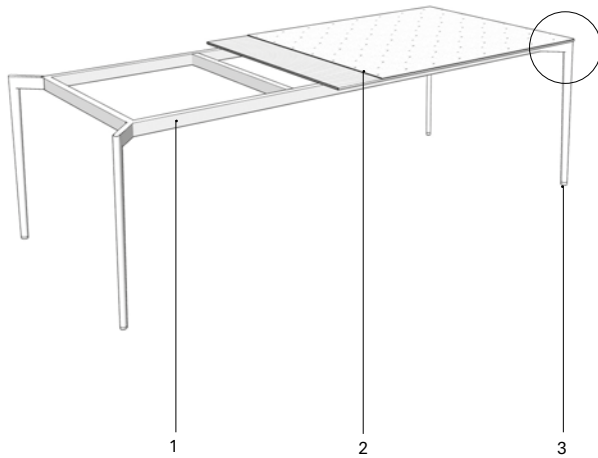


Nude. Studio expormim, 2018

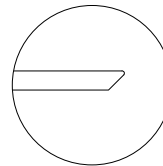


1 Structure made of stainless steel tube AISI 304, finished with polyester powder.

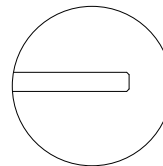
2 Tabletop options:
- HPL Trespa® 8 mm/0.31" thick.
- FENIX NTM® 8 mm/0.31" thick.
- Dekton® 8 mm/0.31" thick.

3 Injected PA spacers.

Tabletop options:



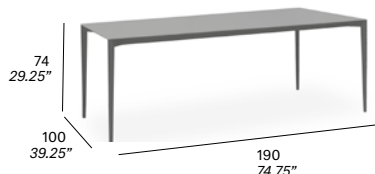
- HPL Trespa® 8 mm/0.31" thick.
- FENIX NTM® 8 mm/0.31" thick.



- Dekton® 8 mm/0.31" thick.

REF	ARTICLE	OPTIONS	TOTAL (CAD\$)
-----	---------	---------	---------------

C132 Rectangular dining table



frame

- 102 FT light grey, 108 FT oxide, 110 FT bronze, 111 FT graphite, 113 FT sage, 120 FT off white, 124 FT linen *

HPL premium top 13 mm/0.51" 6,791

- 320 silver quartzite, 321 italian slate, 323 natural chalkstone, 327 titanium bronze

FENIX NTM[®] top 12 mm/0.47" 7,531

- 029 bianco male, 720 nero ingo

Dekton[®] top 8 mm/0.31" 7,887

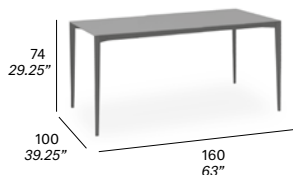
- K1 albarium, K2 argentium, K3 umber, K4 micron
- D2 kelya, D3 danae

protective cover +1,290

32 kg — 47 kg / 0,20 m³ — (HPL top, FENIX top option)

50 kg — 57 kg / 0,20 m³ — (dekton top option)

C133 Rectangular dining table



frame

- 102 FT light grey, 108 FT oxide, 110 FT bronze, 111 FT graphite, 113 FT sage, 120 FT off white, 124 FT linen *

HPL premium top 13 mm/0.51" 6,237

- 320 silver quartzite, 321 italian slate, 323 natural chalkstone, 327 titanium bronze

FENIX NTM[®] top 12 mm/0.47" 6,851

- 029 bianco male, 720 nero ingo

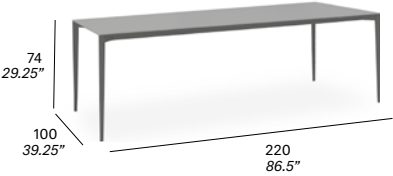
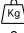

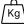

Dekton[®] top 8 mm/0.31" 7,293

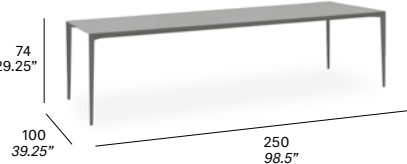
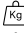

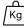

- K1 albarium, K2 argentium, K3 umber, K4 micron
- D2 kelya, D3 danae

protective cover +1,119

27 kg — 42 kg / 0,17 m³ — (HPL top, FENIX top option)

40 kg — 55 kg / 0,17 m³ — (dekton top option)

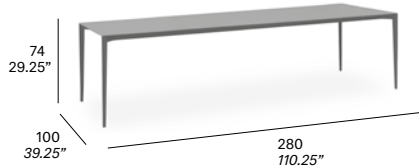
REF	ARTICLE	OPTIONS	TOTAL (CAD\$)
C134	Rectangular dining table		
		<p>frame</p> <ul style="list-style-type: none"> 102 FT light grey, 108 FT oxide, 110 FT bronze, 111 FT graphite, 113 FT sage, 120 FT off white, 124 FT linen * <p>HPL premium top 13 mm/0.51" 7,640</p> <ul style="list-style-type: none"> 320 silver quartzite, 321 italian slate, 323 natural chalkstone, 327 titanium bronze <p>FENIX NTM® top 12 mm/0.47" 8,098</p> <ul style="list-style-type: none"> 029 bianco male, 720 nero ingo <p>Dekton® top 8 mm/0.31" 8,903</p> <ul style="list-style-type: none"> K1 albarium, K2 argentium, K3 umber, K4 micron D2 kelya, D3 danae 	
		<p>protective cover +1,284</p> <p> 38 kg —  58 kg / 0,24 m³ — (HPL top, FENIX top option)</p> <p> 60 kg —  81 kg / 0,24 m³ — (dekton top option)</p>	

C136	Rectangular dining table		
		<p>frame</p> <ul style="list-style-type: none"> 102 FT light grey, 108 FT oxide, 110 FT bronze, 111 FT graphite, 113 FT sage, 120 FT off white, 124 FT linen * <p>HPL premium top 13 mm/0.51" 8,240</p> <ul style="list-style-type: none"> 320 silver quartzite, 321 italian slate, 323 natural chalkstone, 327 titanium bronze <p>FENIX NTM® top 12 mm/0.47" 9,052</p> <ul style="list-style-type: none"> 029 bianco male, 720 nero ingo <p>Dekton® top 8 mm/0.31" 9,702</p> <ul style="list-style-type: none"> K1 albarium, K2 argentium, K3 umber, K4 micron D2 kelya, D3 danae 	
		<p>protective cover +1,548</p> <p> 42 kg —  65 kg / 0,27 m³ — (HPL top, FENIX top option)</p> <p> 70 kg —  95 kg / 0,27 m³ — (dekton top option)</p>	

* included in price

REF	ARTICLE	OPTIONS	TOTAL (CAD\$)
-----	---------	---------	---------------

C135 Rectangular dining table



frame	*
· 102 FT light grey, 108 FT oxide, 110 FT bronze, 111 FT graphite, 113 FT sage, 120 FT off white, 124 FT linen	*

HPL premium top 13 mm/0.51"	8,900
· 320 silver quartzite, 321 italian slate, 323 natural chalkstone, 327 titanium bronze	

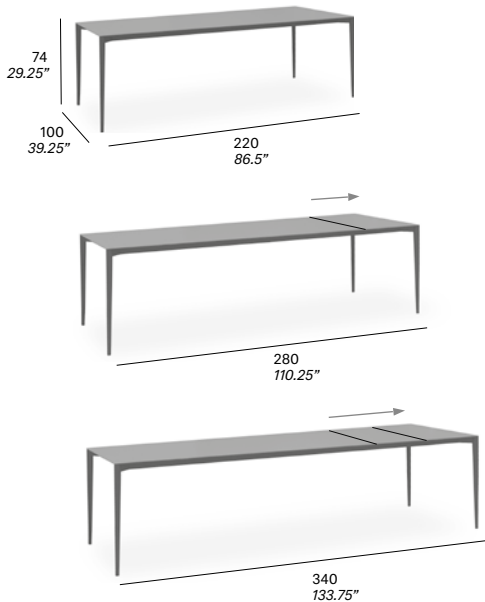
FENIX NTM® top 12 mm/0.47"	9,752
· 029 bianco male, 720 nero ingo	

Dekton® top 8 mm/0.31"	10,768
· K1 albarium, K2 argentium, K3 umber, K4 micron · D2 kelya, D3 danae	

protective cover	+1,426
-------------------------	--------

53 kg — 73 kg / 0,30 m³ — (HPL top, FENIX top option)
 75 kg — 95 kg / 0,30 m³ — (dekton top option)

C140 Rectangular expandable dining table



frame	*
· 102 FT light grey, 108 FT oxide, 110 FT bronze, 111 FT graphite, 113 FT sage, 120 FT off white, 124 FT linen	*

HPL premium top 13 mm/0.51"	14,999
· 320 silver quartzite, 321 italian slate, 323 natural chalkstone, 327 titanium bronze	

FENIX NTM® top 12 mm/0.47"	16,962
· 029 bianco male, 720 nero ingo	

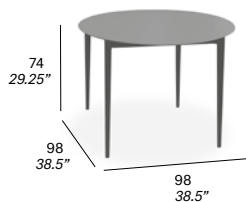
protective cover	+1,284
-------------------------	--------

90 kg — 110 kg / 0,44 m³ — (HPL top, FENIX top option)

* included in price

REF	ARTICLE	OPTIONS	TOTAL (CAD\$)
-----	---------	---------	---------------

C137 Round dining table



frame

- 102 FT light grey, 108 FT oxide, 110 FT bronze, 111 FT graphite, 113 FT sage, 120 FT off white, 124 FT linen *

HPL premium top 13 mm/0.51" 4,769

- 320 silver quartzite, 321 italian slate, 323 natural chalkstone, 327 titanium bronze

FENIX NTM® top 12 mm/0.47" 5,181

- 029 bianco male, 720 nero ingo

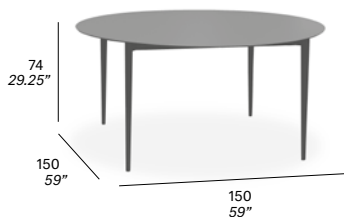
Dekton® top 8 mm/0.31" 5,920

- K1 albarium, K2 argentium, K3 umber, K4 micron
- D2 kelya, D3 danae

protective cover +921

- 19 kg — 29 kg / 0,11 m³ — (HPL top, FENIX top option)
- 26 kg — 36 kg / 0,11 m³ — (dekton top option)

C138 Round dining table



frame

- 102 FT light grey, 108 FT oxide, 110 FT bronze, 111 FT graphite, 113 FT sage, 120 FT off white, 124 FT linen *

HPL premium top 13 mm/0.51" 8,194

- 320 silver quartzite, 321 italian slate, 323 natural chalkstone, 327 titanium bronze

FENIX NTM® top 12 mm/0.47" 9,649

- 029 bianco male, 720 nero ingo

protective cover +1,145

- 42 kg — 62 kg / 0,24 m³ — (HPL top, FENIX top option)



Tusch Seating International Inc. T 416.368.6100
 251 Bartley Dr. Unit #4 F 416.368.4477
 Toronto, ON M4A 2N7 Canada T 888.368.6101
 www.tuschseating.co info@tuschseating.com

* included in price