

# Harry's



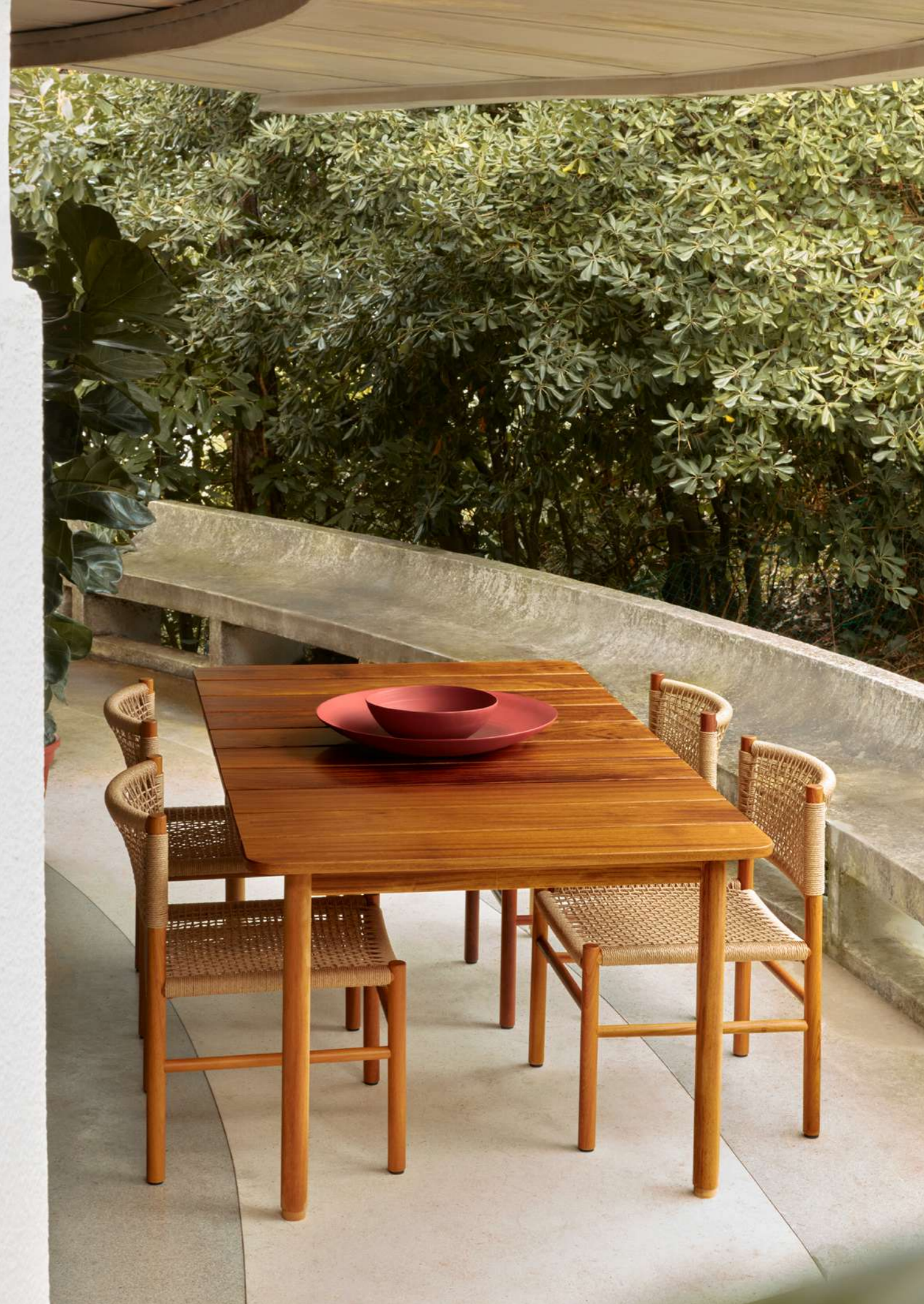
Harry's is a collection naturally suited to the outdoors. Designed by Luigi Billiani, it resembles the chairs traditionally made in the 'Italian Chair District' in the northeast of Italy, but with the added twist of Mediterranean hand-woven cord. The lounge chair was inspired by the proportions of the chairs in the famous Harry's Bar in Venice, and is perfect either as a dining chair or for relaxing. The chair, lounge chair and table are made in Iroko and ash.













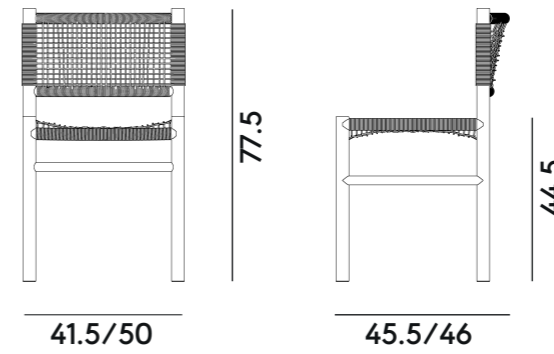






# Harry's 815

Luigi Billiani | 2024



# Harry's 816

Luigi Billiani | 2024

