

Flow

Design: Luigi Billiani, 2024



Flow is a short compendium of the history of the chair – a perfect combination of Italian tradition and the Scandinavian aesthetic of the 1950s and 1960s. Designed by Luigi Billiani, Flow is light, dynamic and features tapering lines that almost disappear beneath the seat. The curved back has visually soft, wavy lines.



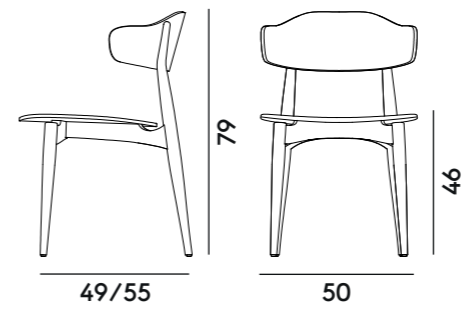






Flow 825

Luigi Billiani | 2024



Flow 826

Luigi Billiani | 2024

