



CÉCILE collection

Design by Mario Ruiz

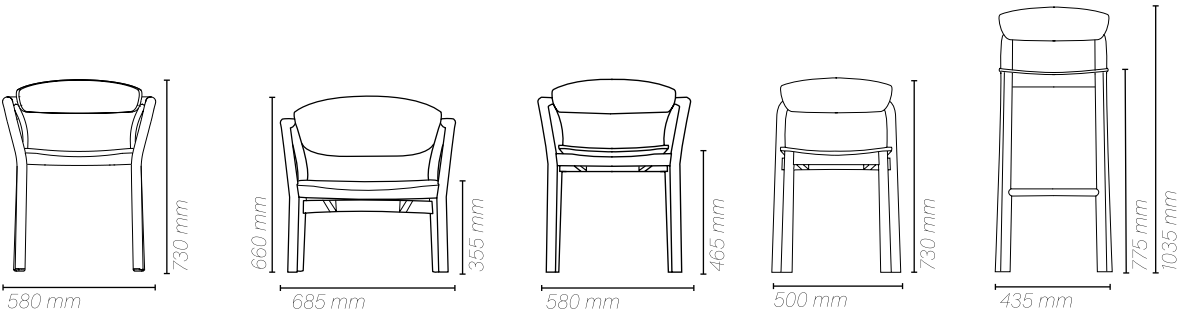
EN Cécile is a timeless design chair collection in organic and welcoming shapes, a wonderfully comfortable piece that praises craftsmanship, and with great adaptability to different scenarios and uses.

Its simplicity results in versatility to adapt to spaces of a very different nature, both in contract, in multipurpose spaces, in flexible and reconfigurable hybrid areas, and at home.

Despite its lightness, it is a chair with a robust identity, with a characteristic language of curves and counter-curves in a 36 mm diameter cylindrical structure with no visible joining elements. Consistent with the lines outlining the structure of the piece, the seat and backrest have a gentle curvature that envelops the body with balanced proportions.

The chair can be entirely made in wood, or with the seat and backrest upholstered combining various densities of polyurethane foam. In its metallic version, with painted steel tube, its appearance conveys the same warmth as the wooden version while maintaining its enveloping shapes and delivering an image of great comfort.

In addition to these two versions, there is also an outdoor Cécile with an aluminium structure, seat and backrest and the possibility of upholstery on the seat. All versions are stackable.









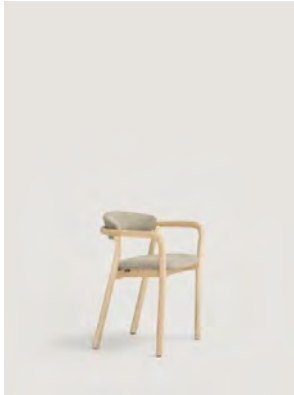


CÉCILE collection

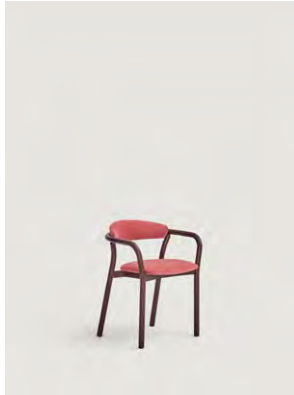
Chair /



2341M
Chair with ash solid wood structure and seat and back of ash plywood /



2341T
Chair with ash solid wood structure and seat and back upholstered /



2342T
Chair with metal structure and seat and back upholstered /

Lounge /



2345T
Armchair with solid ash wood frame. Upholstered front and back / Butaca