

Noah

Manufacturer: Lebom, Spain

Noah

David Dolcini



Structure

- Exposed solid ash wood frame reinforced with an L-shaped metal profile.
- Inside structure made of solid pine wood and MDF board.
- High resistance elastic cinching.

Padding

- 35 Kg Biogreen polyurethane seat with a viscoelastic topper.
- 28 Kg and 20 Kg super soft polyurethane backrest.
- Polyurethane with a 350 g multi-layer fiber lining.
- Feather effect microfibre backrest cushions.
- Decorative cushions not included.

Upholstery

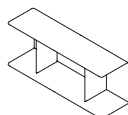
- Removable seat and back cushions.
- Decorative seams on arms.

Standing

13cm legs.

Options

- Magazine holder arm option. 20cm wide.



Noah

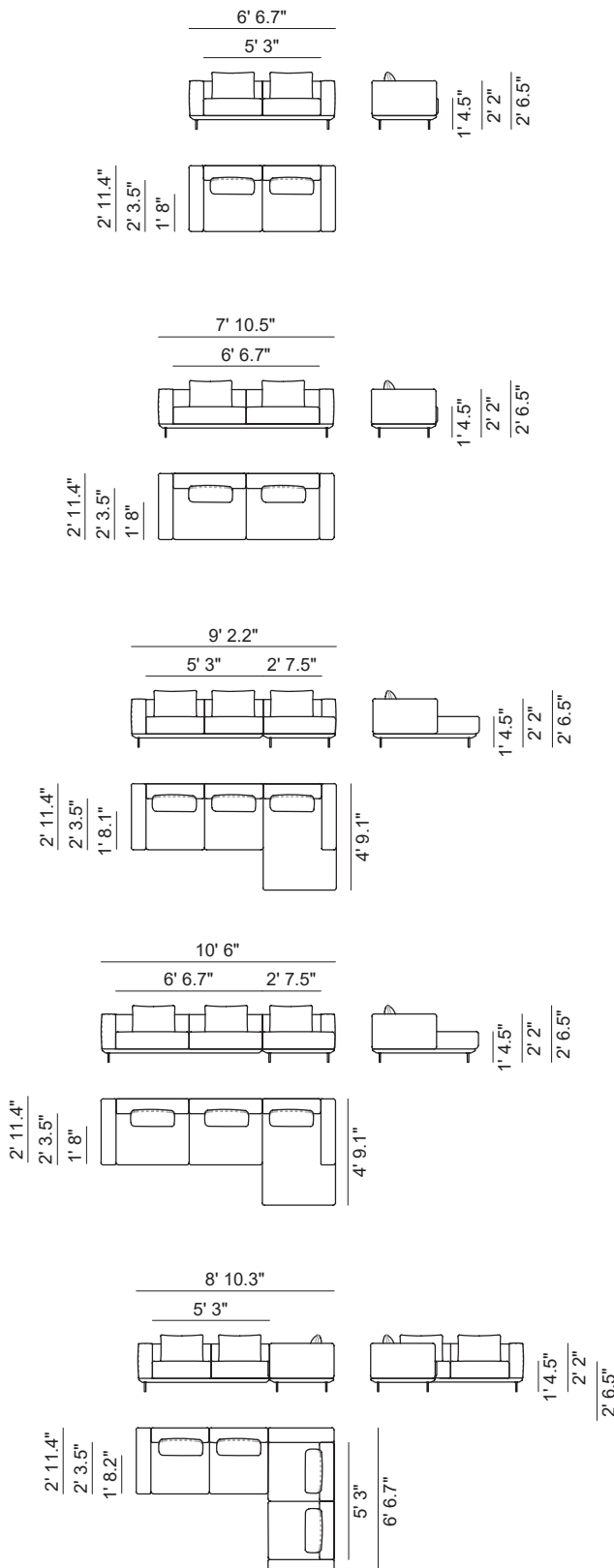
Manufacturer: Lebom, Spain

Fabrics

Noah

P0 COM	P1	P2	P3	Vol (ft ³)
-----------	----	----	----	------------------------

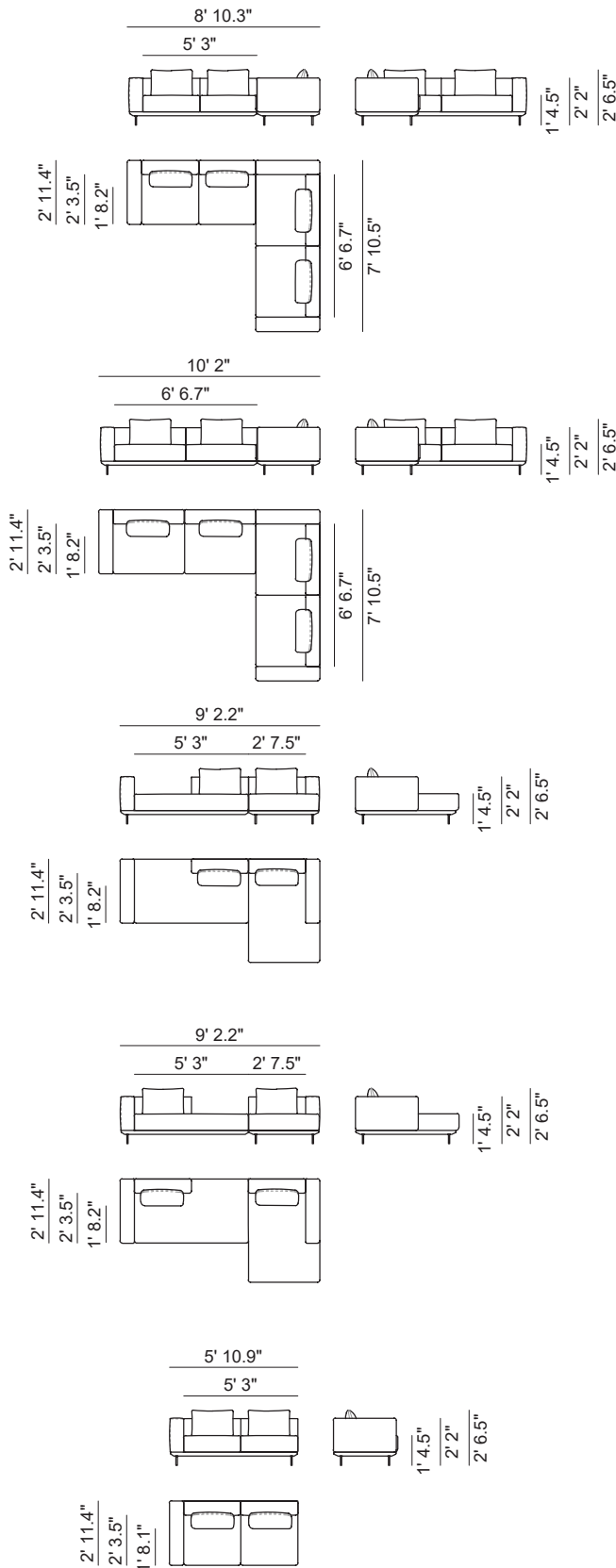
CAD \$



	P0 COM	P1	P2	P3	Vol (ft ³)
3 seater 110030	\$11,137	\$12,413	\$13,552	\$14,331	52.65
4 seater 110040	\$12,296	\$13,724	\$14,994	\$15,856	62.68
Chaise longue 280	\$16,902	\$18,633	\$20,193	\$21,245	112.70
Chaise longue 320	\$18,157	\$20,041	\$21,732	\$22,867	128.25
Corner 270x200	\$20,879	\$23,184	\$25,240	\$26,641	147.43

Noah

Manufacturer: Lebom, Spain



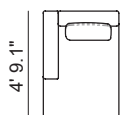
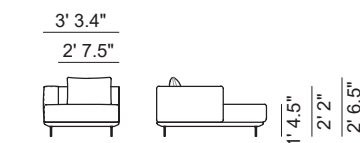
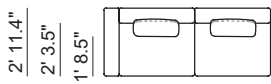
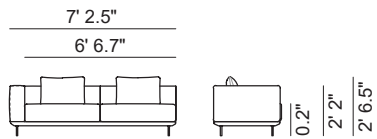
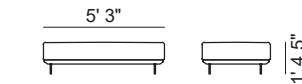
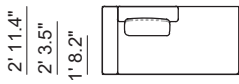
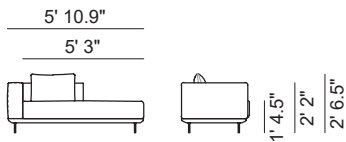
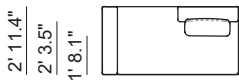
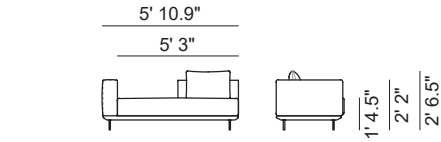
Noah	Fabrics				
	P0 COM	P1	P2	P3	Vol (ft ³)
	CAD \$				
Corner 270x240	\$22,039	\$24,495	\$26,682	\$28,166	175.51
Corner 310x240	\$23,294	\$25,903	\$28,221	\$29,787	200.59
Module 160 arm right backrest + Module chaise arm	\$15,535	\$17,040	\$18,409	\$19,327	120.48
Module 160 arm left backrest + Module chaise arm	\$15,535	\$17,040	\$18,409	\$19,327	120.48
Module 160 arm R 110032 L 110033	\$9,743	\$10,805	\$11,761	\$12,399	47.64

Noah

Manufacturer: Lebom, Spain

Fabrics

Noah	Fabrics				
	P0 COM	P1	P2	P3	Vol (ft ³)
CAD \$					
Module 160 arm right backrest R 110034 L 110036	\$8,377	\$9,177	\$9,905	\$10,391	47.64
Module 160 arm left backrest R 110035 L 110037	\$8,377	\$9,177	\$9,905	\$10,391	47.64
Module 160 no arm no backrest 110080 + 110074	\$5,620	\$5,927	\$6,200	\$6,383	17.41
Module 200 arm R 110042 L 110043	\$10,999	\$12,179	\$13,227	\$13,931	57.67
Module chaise arm R 110048 L 110049	\$7,159	\$7,863	\$8,504	\$8,936	42.75

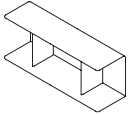


Noah

Manufacturer: Lebom, Spain

Options

- Magazine holder arm option. 20cm wide. Surcharge +\$750.



COM Orders are subject to following charges per manufacturer: \$18 per yard (any fabric) - Minimum: \$200.



Tusch Seating International Inc.
251 Bartley Dr. Unit #4
Toronto, ON M4A 2N7 Canada
www.tuschseating.com

T 416.368.6100
F 416.368.4477
T 888.368.6101
info@tuschseating.com