

Odil

Manufacturer: Lebom, Spain

Odil

Atelier Lebom



Structure

Solid wood and DM board. Springs in high resistance elastic belts.

Padding

- 40 g Biogreen polyurethane seat with a 80 kg vicoelastic topper.
- Mic ofibre back with cotton bag.

Upholstery

Removable seat and back cushions.

Standing

15 cm legs.

Options

Mocha coated legs.

Odil

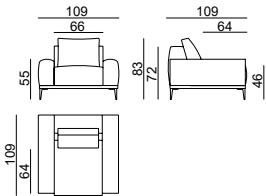
Manufacturer: Lebom, Spain

Fabrics

Odil

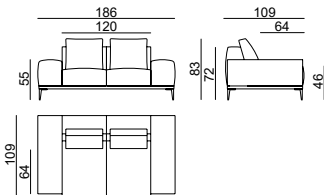
P0 COM	P1	P2	P3	Vol (ft ³)
-----------	----	----	----	------------------------

CAD \$



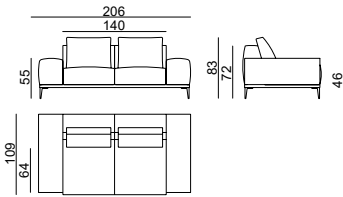
Armchair 109610

\$3,674	\$4,126	\$4,578	\$5,030	34.01
---------	---------	---------	---------	-------



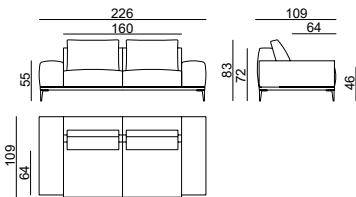
2 seater 109620

\$5,596	\$6,300	\$7,004	\$7,704	56.01
---------	---------	---------	---------	-------



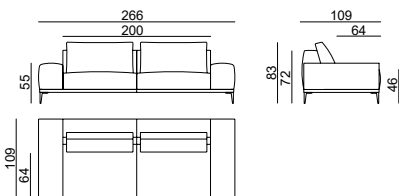
3 seater small 109650

\$6,269	\$7,066	\$7,866	\$8,666	61.73
---------	---------	---------	---------	-------



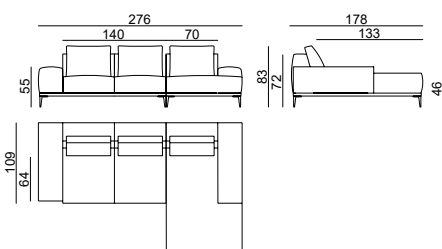
3 seater 109630

\$7,107	\$8,018	\$8,936	\$9,846	67.44
---------	---------	---------	---------	-------



4 seater (2 Modules) 109640

\$8,390	\$9,377	\$10,364	\$11,357	81.73
---------	---------	----------	----------	-------

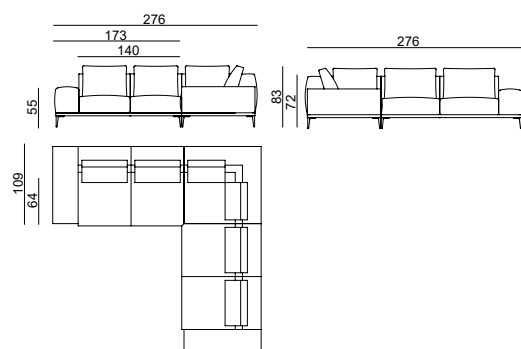
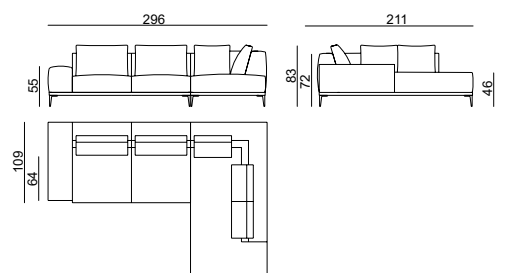
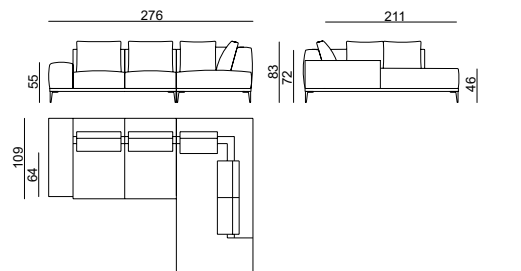
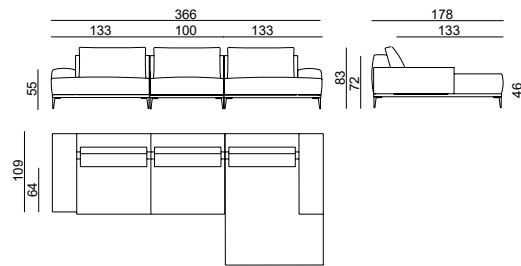
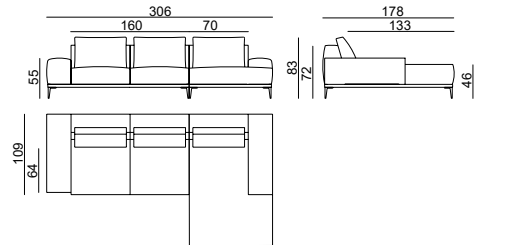


Chaise longue 276

\$10,115	\$11,357	\$12,593	\$13,835	103.31
----------	----------	----------	----------	--------

Odil

Manufacturer: Lebom, Spain



Odil

Fabrics

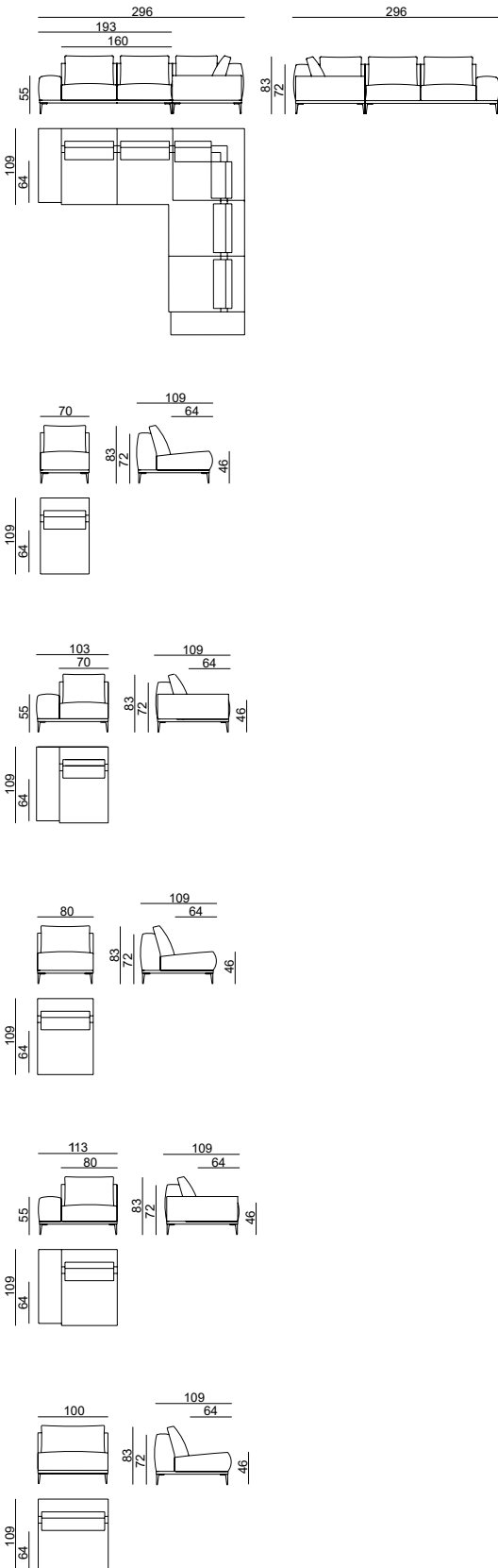
P0 COM	P1	P2	P3	Vol (ft³)
-----------	----	----	----	-----------

CAD \$

	P0 COM	P1	P2	P3	Vol (ft³)
Chaise longue 306	\$10,930	\$12,320	\$13,707	\$15,101	113.54
Chaise longue 366	\$12,972	\$14,511	\$16,046	\$17,588	136.86
Terminal corner 276	\$12,492	\$14,069	\$15,639	\$17,216	112.27
Terminal corner 296	\$13,034	\$14,721	\$16,405	\$18,095	117.98
Corner 276	\$15,611	\$17,598	\$19,579	\$21,566	135.25

Odil

Manufacturer: Lebom, Spain



Odil

Fabrics

P0 COM	P1	P2	P3	Vol (ft ³)
-----------	----	----	----	------------------------

CAD \$

	P0 COM	P1	P2	P3	Vol (ft ³)
Corner 296	\$16,695	\$18,903	\$21,111	\$23,325	146.68
Module 70 109656	\$2,763	\$3,119	\$3,474	\$3,830	22.86
Module 70 arm R 109654 L 109655	\$3,402	\$3,857	\$4,313	\$4,768	32.29
Module 80 109636	\$2,929	\$3,291	\$3,654	\$4,016	25.72
Module 80 arm R 109634 L 109635	\$3,554	\$4,009	\$4,468	\$4,923	35.15
Module 100 109646	\$3,581	\$3,981	\$4,382	\$4,782	31.43

Odil

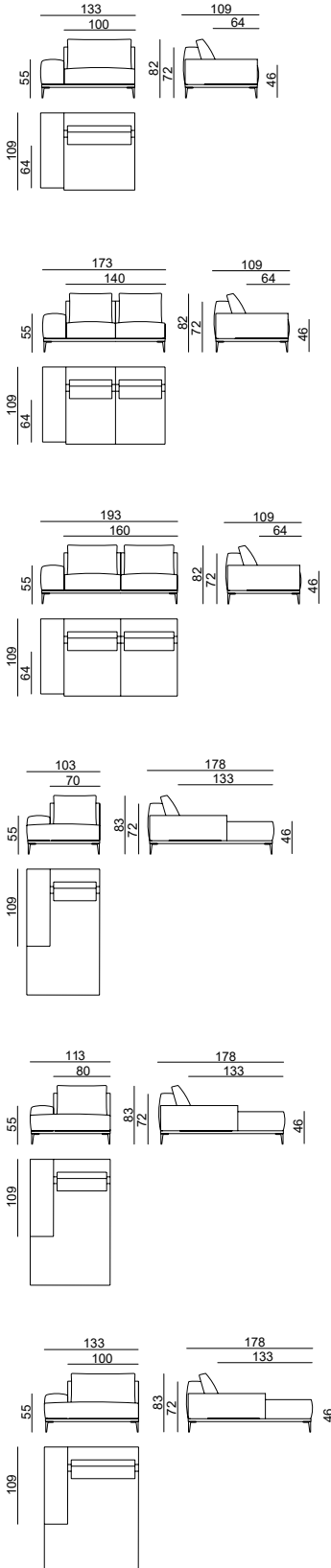
Manufacturer: Lebom, Spain

Odil

Fabrics

P0 COM	P1	P2	P3	Vol (ft³)
-----------	----	----	----	-----------

CAD \$



Module 100 arm
R 109644
L 109645

\$4,195 \$4,689 \$5,182 \$5,679 40.86

Module 140 arm
R 109652
L 109653

\$5,665 \$6,358 \$7,048 \$7,742 52.30

Module 160 arm
R 109632
L 109633

\$6,207 \$7,010 \$7,814 \$8,622 58.01

Module 70 chaise arm
R 109657
L 109658

\$4,451 \$4,999 \$5,544 \$6,093 51.02

Module 80 chaise arm
R 109637
L 109638

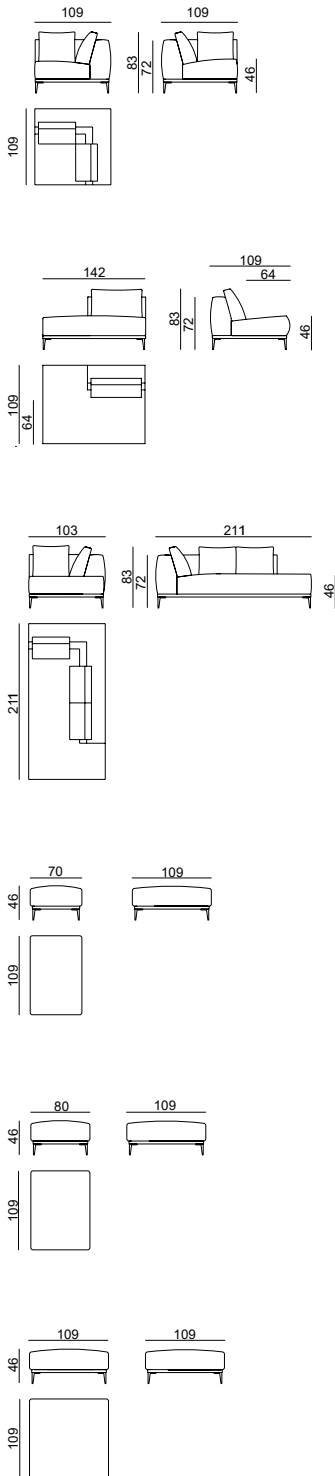
\$4,723 \$5,310 \$5,893 \$6,479 55.53

Module 100 chaise arm
R 109647
L 109648

\$5,196 \$5,841 \$6,483 \$7,128 64.56

Odil

Manufacturer: Lebom, Spain



Odil

Fabrics

	Fabrics				
	P0 COM	P1	P2	P3	Vol (ft ³)
	CAD \$				
Corner 109670	\$4,281	\$4,882	\$5,482	\$6,082	30.66
Module 80 terminal R 109683 L 109684	\$3,640	\$4,157	\$4,678	\$5,196	43.44
Terminal corner R 109686 L 109687	\$6,828	\$7,711	\$8,591	\$9,474	59.97
Island 70x109 109660	\$2,046	\$2,287	\$2,529	\$2,770	10.42
Island 80x109 109661	\$2,153	\$2,405	\$2,660	\$2,915	11.72
Island 109x109 109662	\$2,312	\$2,584	\$2,860	\$3,133	13.98



COM Orders are subject to following charges per manufacturer: \$18 per yard (any fabric) - Minimum: \$200.