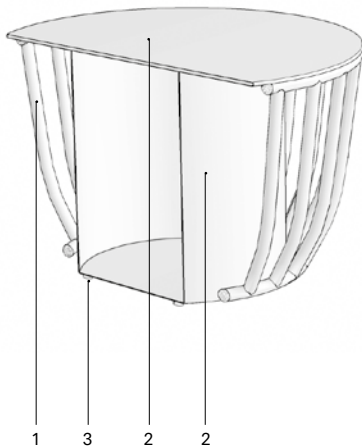


Frames Jaime Hayon, 2014

Round coffee tables made of peeled and tinted natural rattan of 18 mm/0.7" diameter. Finished with a three step water-based coating (dye, base coat and top coat) highly resistant to solar radiation thanks to UV filters. Tabletop and central leg made of lacquered steel plate.



- 1 Structure made of peeled and tinted natural rattan. Finished with a three step water-based coating (dye, base coat and top coat) highly resistant to solar radiation thanks to UV filters.
- 2 Tabletop and central leg made of lacquered steel plate.
- 3 Injected PA spacers.

Ref.	Article	Total (CAD\$)
		rattan

T558 Round coffee table



Ø44x40
Ø 17.25" x 15.75"

rattan	\$3,168
---------------	---------

metallic frame and top

12 kg — 15 kg / 0,11 m³



Ø54x35
Ø 21.25" x 13.75"

rattan	\$3,977
---------------	---------

metallic frame and top

16 kg — 20 kg / 0,14 m³



Tusch Seating International Inc.
251 Bartley Dr. Unit #4
Toronto, ON M4A 2N7 Canada
www.tuschseating.co

T 416.368.6100
F 416.368.4477
T 888.368.6101
info@tuschseating.com